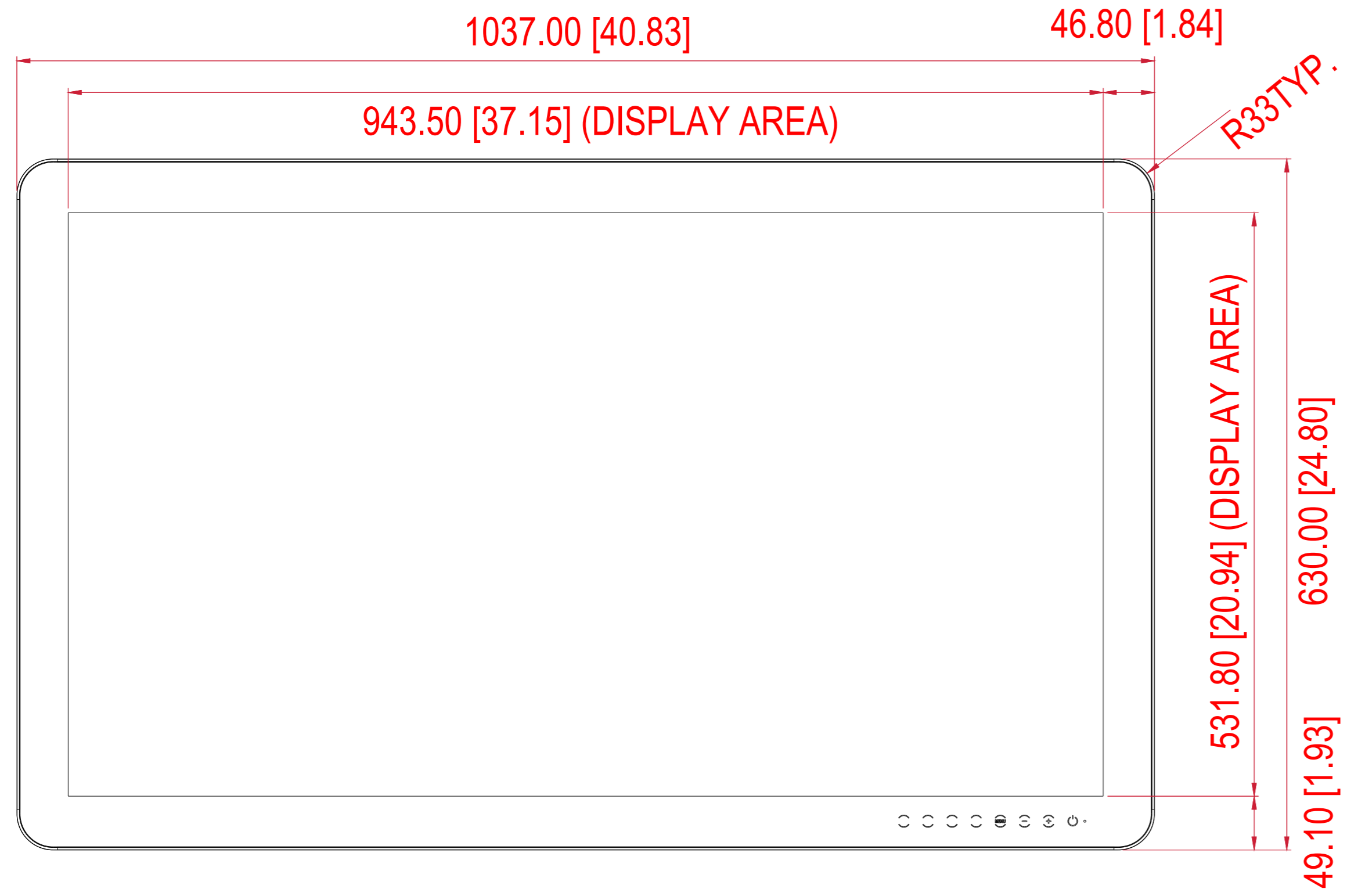
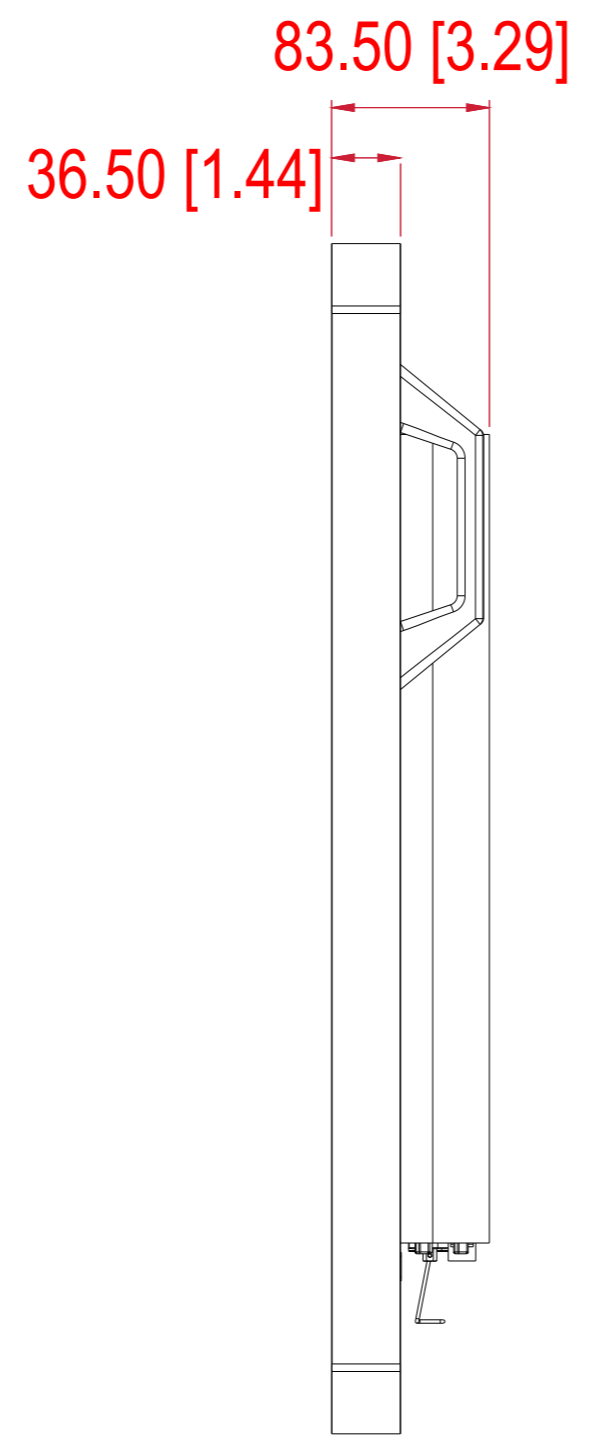


This document is the property of Hatteland Technology AS.  
 This document and any authorized reproduction thereof must not be used in  
 any way against the interest of Hatteland Technology AS.  
 Any authorized reproduction, in whole or in part, must include this legend.

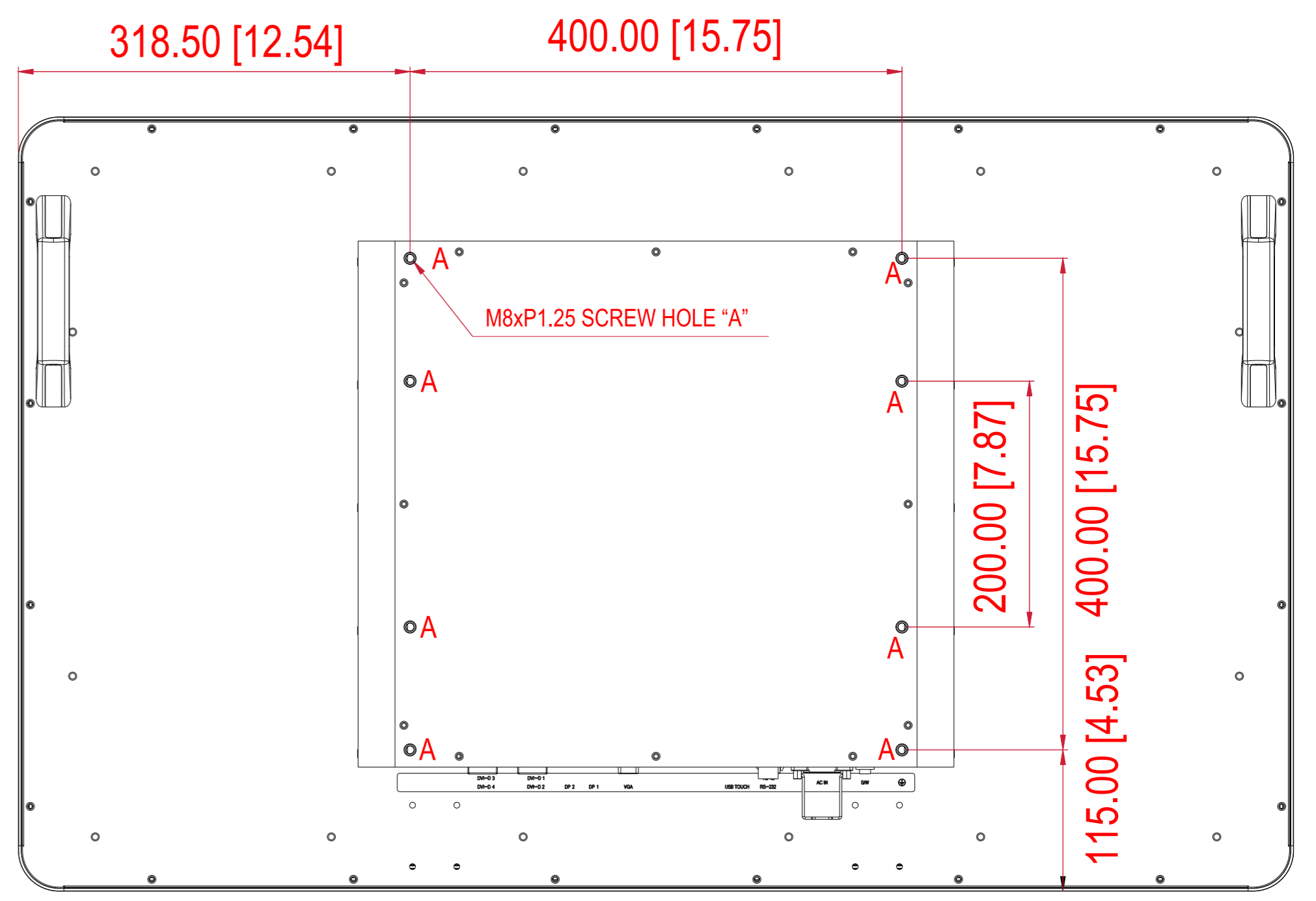
### FRONT VIEW



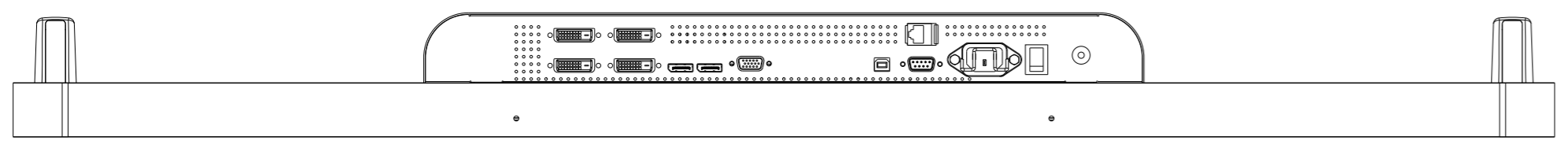
### SIDE VIEW



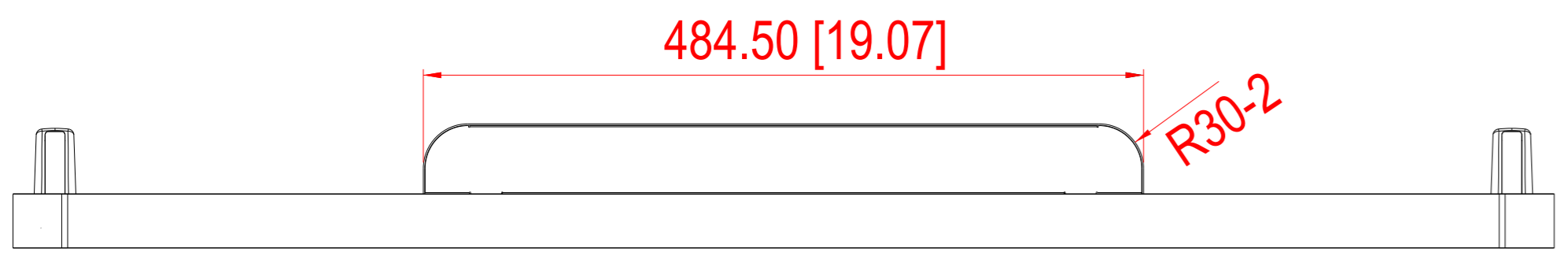
### BACK VIEW



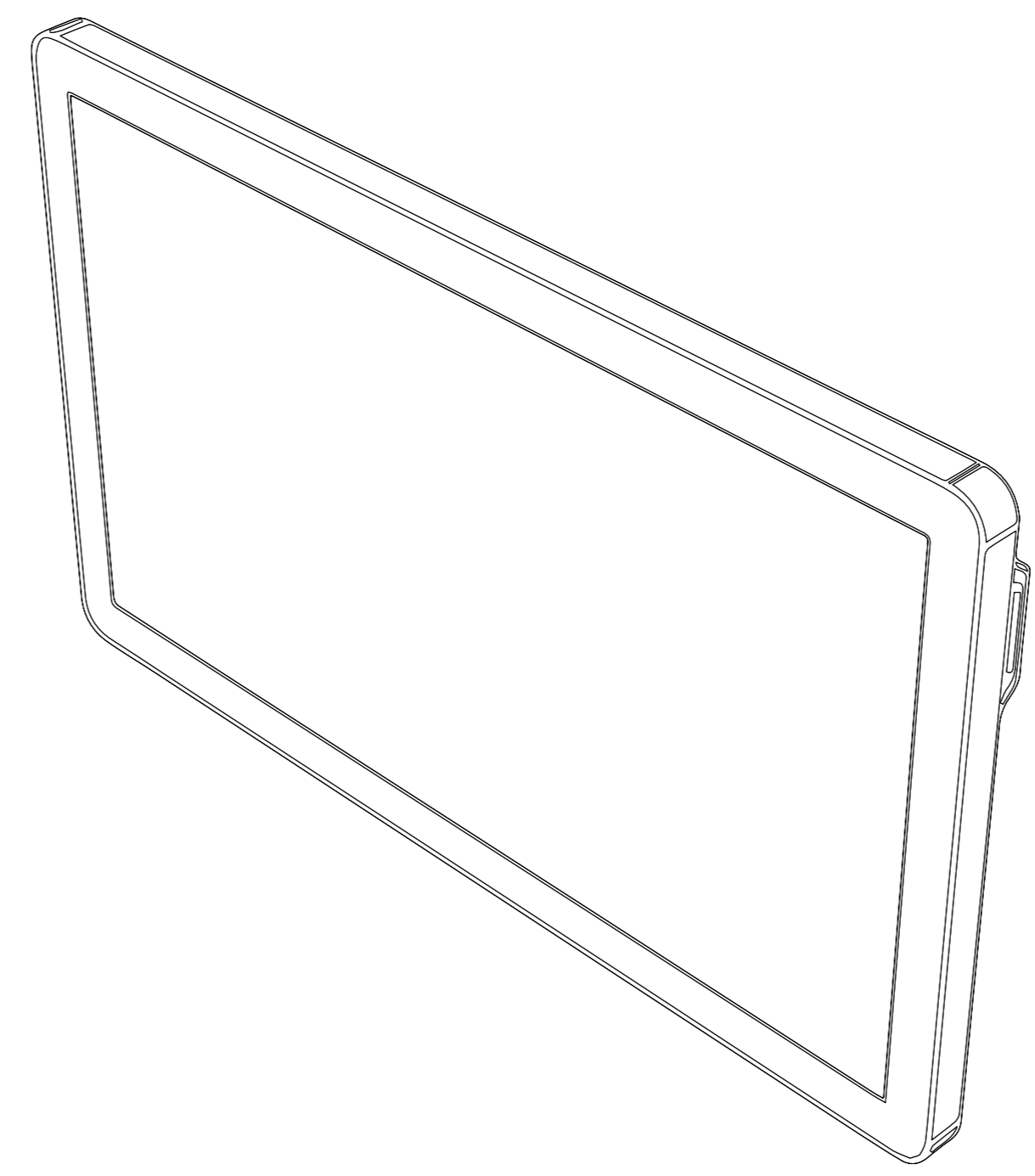
### BOTTOM VIEW



### TOP VIEW



### DIMETRIC VIEW



Units: mm [inches]

**SALES DRAWING ED 43T01 UHD-xxx-xx**

Creation date / by:	/	Projection:		<b>HATTELAND TECHNOLOGY</b> an EMBRON Company
Last rev. date / by:	/		Scale: 1:4	
Hatteland Technology AS Eikeskogvegen 52 N-5570 Akrdal		Tolerance ISO 2768-mK	Approved by:	Revision: Drawing number: <b>PM10005</b>